



ACCESSORIES FLANGED CONNECTIONS

Flange



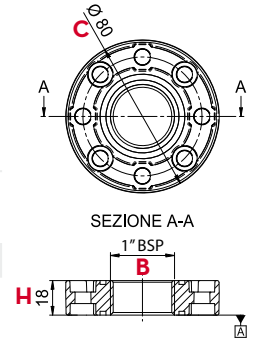
EN. Versatile for connecting different fastening bodies thanks to a special ring of shaped holes.

RU. Универсальность обеспечивается возможностью подключить различные крепежные приспособления благодаря особому венцу с отверстиями.

DE. Vielseitigkeit zum Anschließen verschiedener Befestigungsorgane dank des besonderen Lochkranzes.

PRODUCTS' RANGE

| Code | Description | Inlet/Outlet | | |
|-----------|-------------|--------------|------|------|
| | | B | C mm | H mm |
| F08832000 | Flange | 1" BSP | 80 | 18 |



Flange Kit

EN. O-rings guarantee tightness without requiring sealants. Available with NPT threads.

RU. Уплотнительное кольцо обеспечивает герметичность, не требуя герметики. Имеется с патрубком NPT.

DE. Der O-Ring garantiert die Abdichtung ohne Gebrauch von Dichtungsmassen. Lieferbar mit NPT Gewinde.



Application examples



PRODUCTS' RANGE

| Code | Description | Flange | O-ring | Oval ring | Screw M8x20 | Screw M8x30 | Nut M8 | Grub screw M8x50 |
|-----------|------------------------------|--------|--------|-----------|-------------|-------------|--------|------------------|
| | | no. | no. | no. | no. | no. | no. | no. |
| R12904000 | Kit Flange Oval ring | 1 | - | 1 | 2 | - | 2 | - |
| R09180000 | Kit Flange O-ring | 2 | 2 | - | 4 | - | - | - |
| R1106200A | Kit Flange | 1 | 1 | - | 2 | - | - | - |
| R12906000 | Kit Flange with nut | 1 | - | - | - | - | 2 | - |
| 009779000 | Kit Flange to connect meter | 1 | 2 | - | - | - | 2 | 2 |
| F08832000 | Flange | 1 | - | - | - | - | - | - |
| R08985000 | Oval ring | - | - | 1 | - | - | - | - |
| R08417000 | O-ring | - | 2 | - | - | - | - | - |
| F08812000 | Screw M8x20 | - | - | - | 10 | - | - | - |
| F08043000 | Screw M8x30 | - | - | - | - | 10 | - | - |
| F19271000 | Kit flange to connect filter | 1 | 1 | 1 | - | 2 | 2 | - |

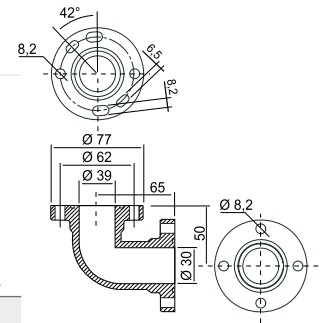
ANTIFREEZE
BIO DIESEL
DIESEL
FOOD
GASOLINE
GREASE
KEROSENE
OIL
UREA
WATER
WINDSCREEN

Flanged elbow



PRODUCTS' RANGE

| Code | Description | Dimensions | | | |
|-----------|---------------|---------------|--------------------|--------------------|---------------|
| | | O-ring no. | Screw M8x20 no. | Screw M8x30 no. | Nut M8 no. |
| R10824000 | Flanged elbow | 2 | 2 | 2 | 2 |

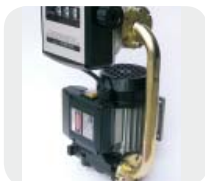


Flanged connections

PRODUCTS' RANGE

| Code | Description | Dimensions | |
|-----------|------------------|------------|------|
| | | A mm | B mm |
| R12229000 | Flanged tube 130 | 130 | 67 |
| R1222800A | Flanged tube 300 | 300 | 67 |
| R12172000 | Flanged tube 341 | 341 | 67 |
| R13251000 | Flanged tube 205 | 205 | 45 |
| R13250000 | Flanged tube 90° | 121 | 131 |

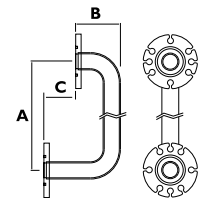
Application examples



Flanged tube 130
Flanged tube 300
Flanged tube 341



Flanged tube 205



Flanged tube 90°

